

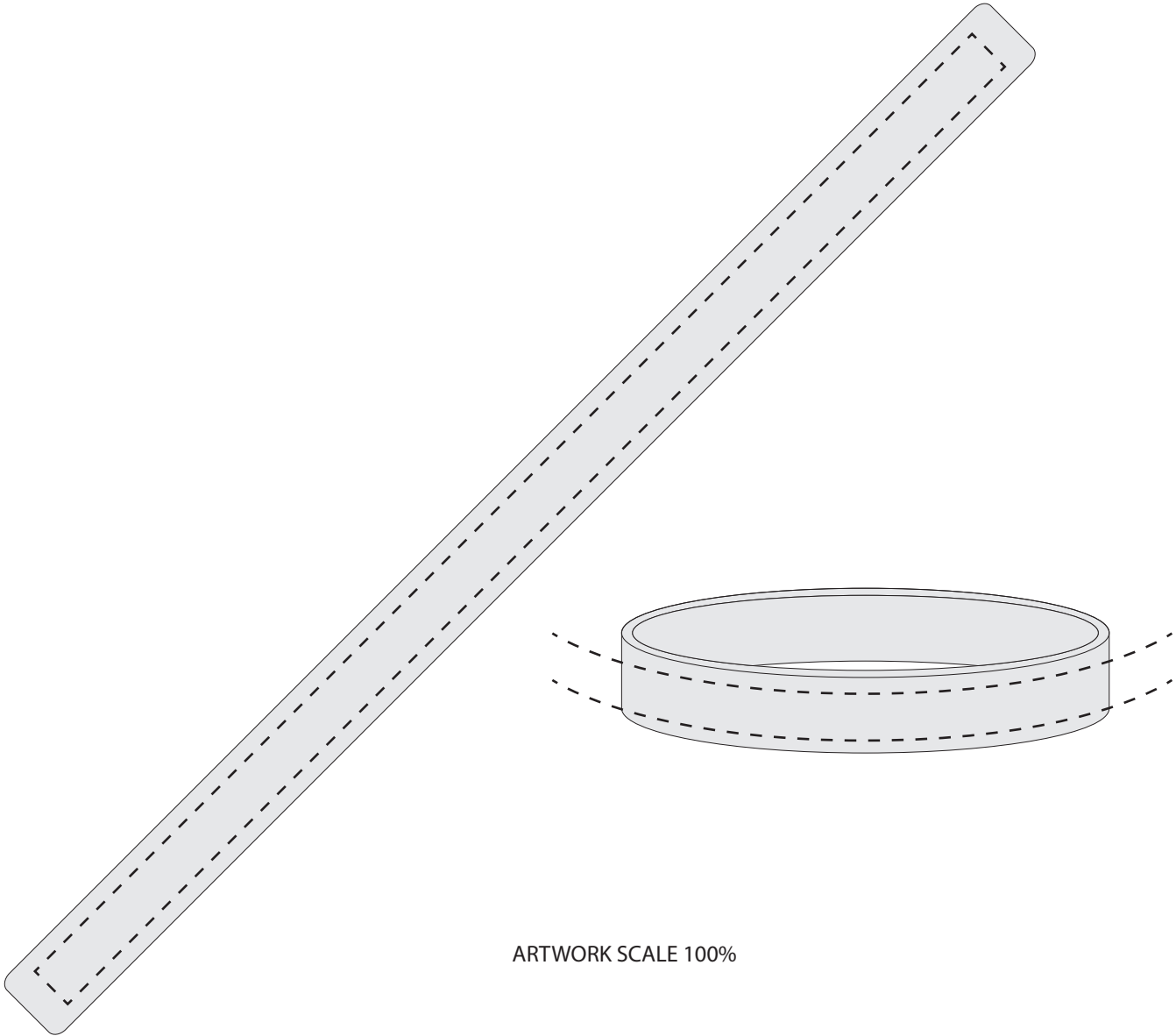
**ARTWORK APPROVAL**

**DATE:**

Your Ref:  
Our Ref:  
Version: 1

Pantone:  
Quantity:  
Position:

Product Code:  
Product Colour:  
Max Print Area: 200mm x 7mm



ARTWORK SCALE 100%

200mm x 7mm

