

| Job Information | Print Information | Artwork Advisory |
|-----------------|-------------------|------------------|
|-----------------|-------------------|------------------|

Job No:
Description: Sample
Product: Small Latte
Colour: Pantone xxxx
Proof No: 1
Date:
Repro: AE

Process: Screen
Dimensions: 180 x 35mm
Colour(s): 5

- Pantone xxxx
- Pantone xxxx
- Pantone xxxx
- Pantone xxxx
- Pantone xxxx

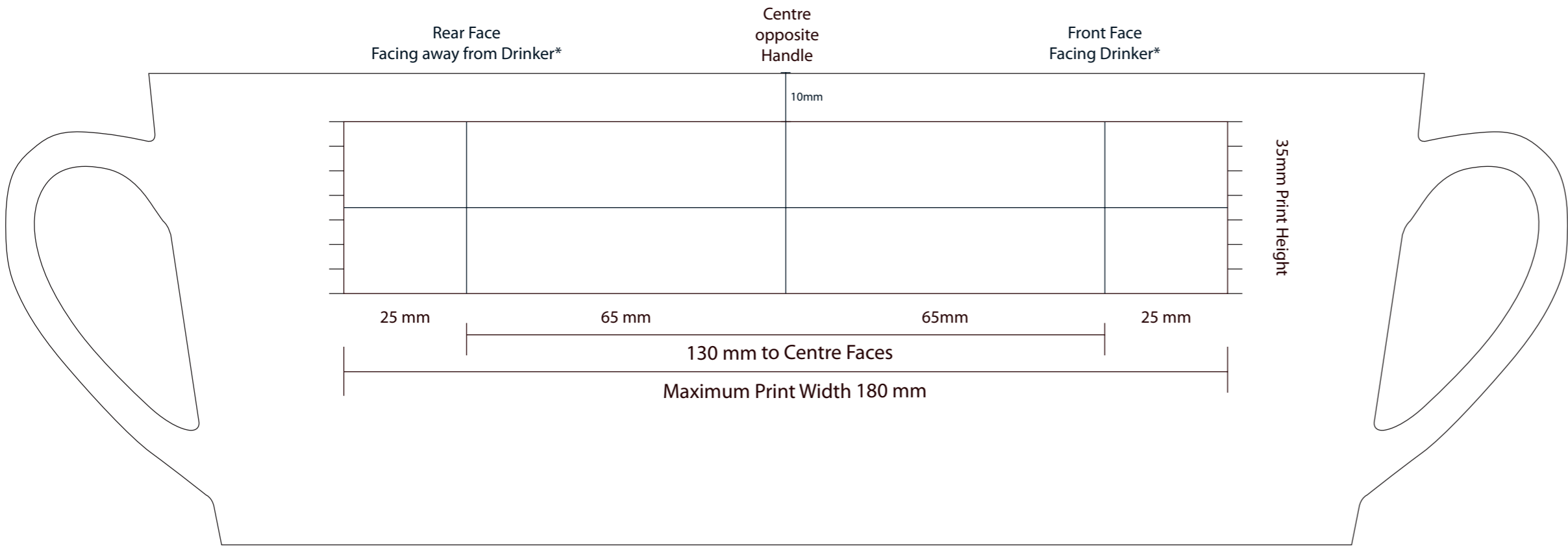
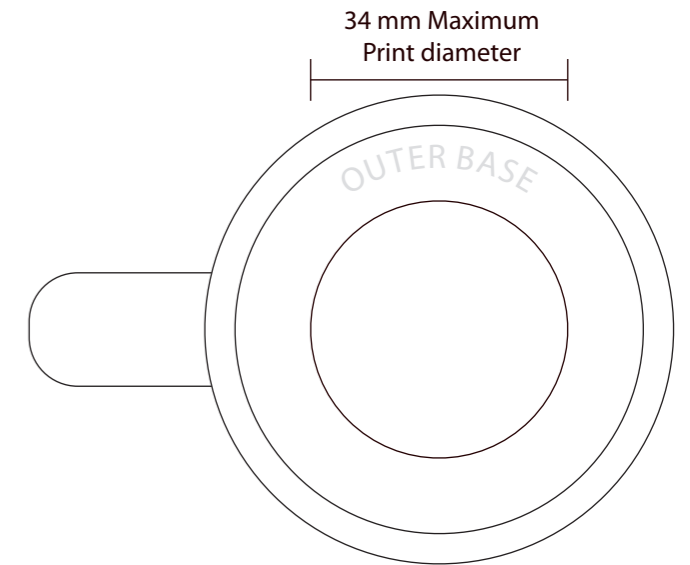
Where spot colour references are not supplied we will apply a Pantone for you

All dimensions are +/- manufacturing tolerances

*Faces indicate a right hand drinker,

Screen printed detail must be at least 1pt (0.353mm) thick

Text should be minimum 8pt to remain legible. Light text on a dark background will reproduce better if bold



12155SMA Gloss Colourcoat