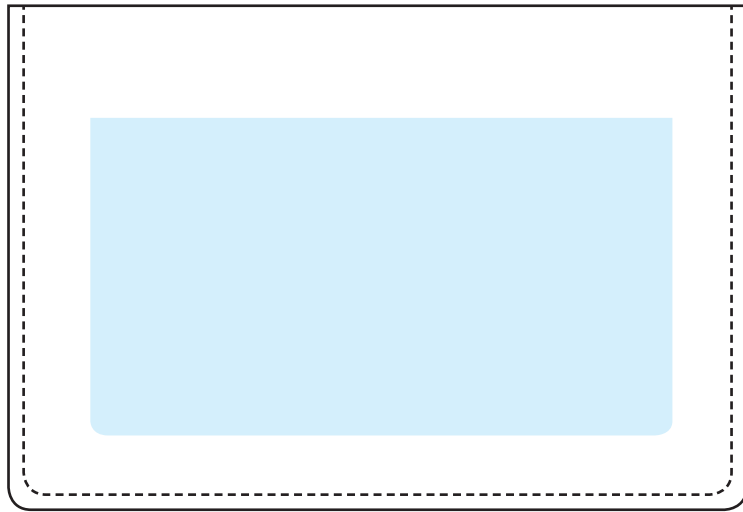


Article: 3100 Credit Card Case Two Clear Pockets

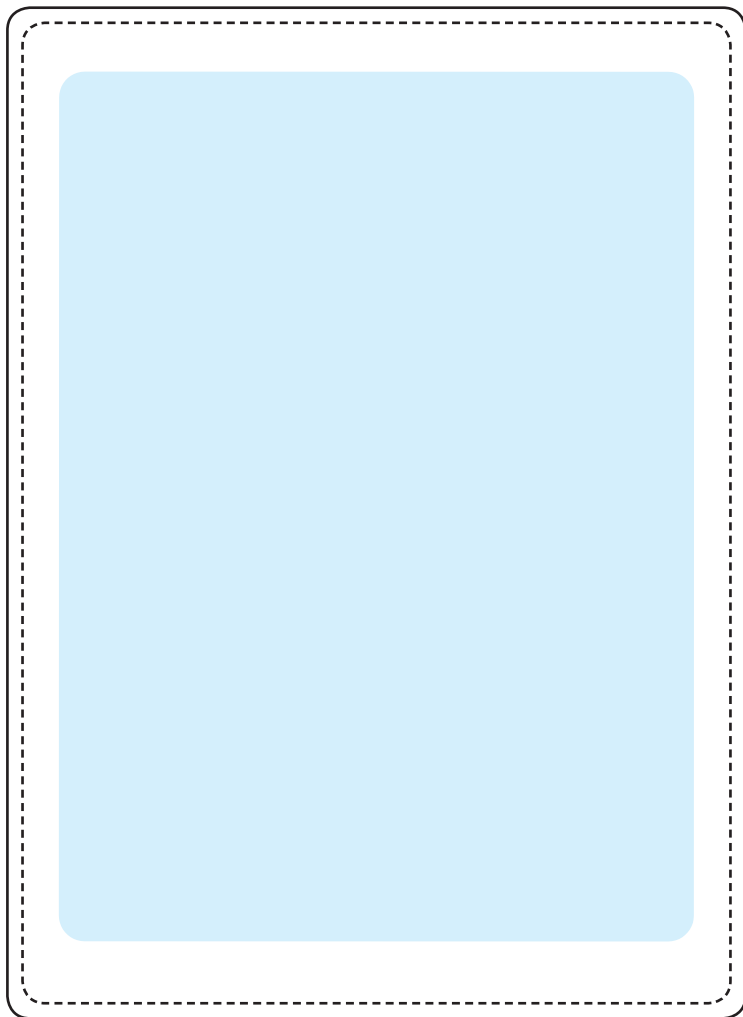
Front

Branding Area
83 x 54 mm

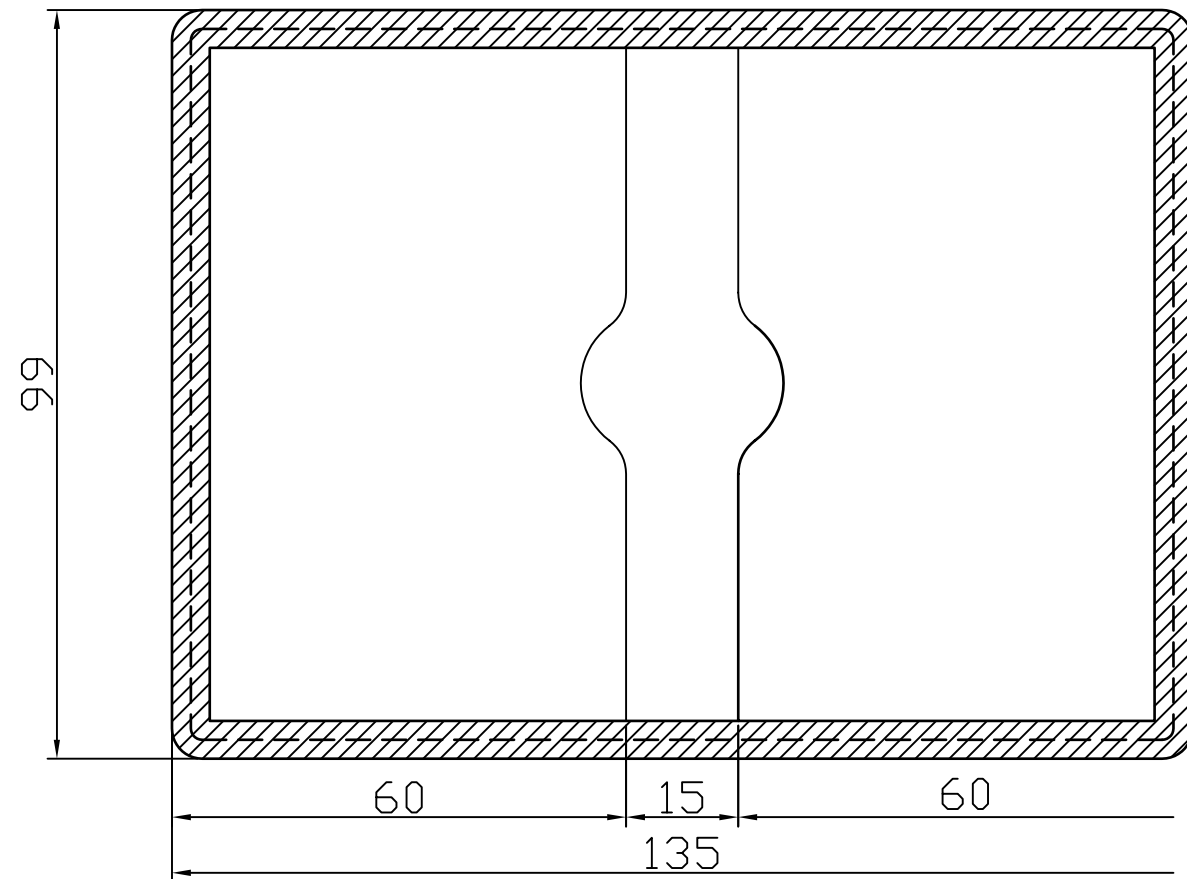


External cover Layout

Branding Area
115 x 84mm



Interior no branding options



Branding Area is shaded in blue.

Maximum branding area
for a single
blocking / embossing die

120 x 90 mm