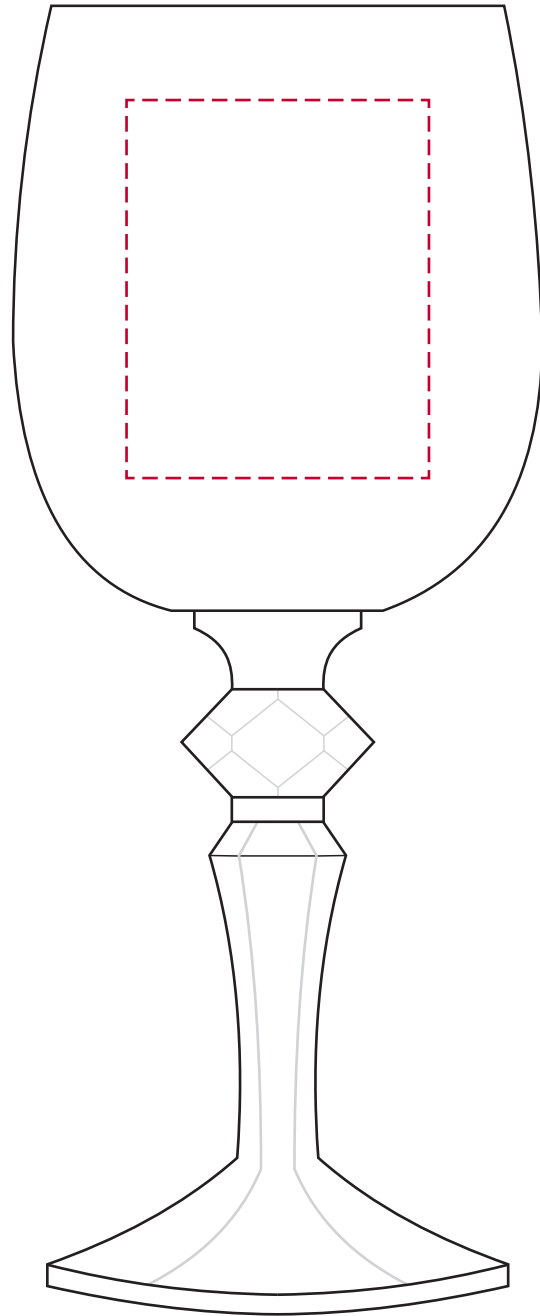


# YOUR VISUAL PROOF

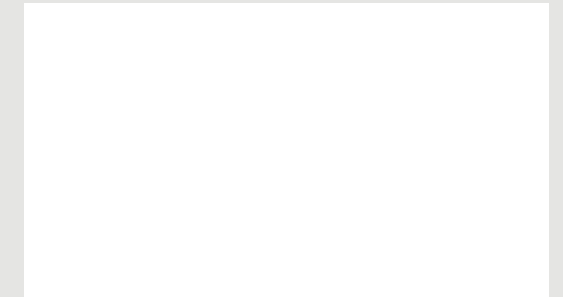


Scale 100%    Print area 50 x 40 mm    Logo size xx x xxmm

Order Reference    xxxxxx  
Date created    xx/xx/xx  
Created by    xx

Product    802453  
Colour    Clear  
Branding    Engraved

## Artwork Advisories



It is the customer's responsibility to ensure that the proof is correct in all areas. Please be sure to double-check spelling, grammar, layout and design before approving artwork. Due to the variation in monitor colours and adjustments, PDF proofs may not provide an accurate colour representation of the final product & printed work. Once artwork is approved, your order will be processed based on the above unless any amendments are made. All orders are subject to our terms and conditions.

Please email all approvals/amends to your order processor.