

YOUR VISUAL PROOF (1 of 2)

Order Reference xxxxxx
Date created xx/xx/xx
Created by xx

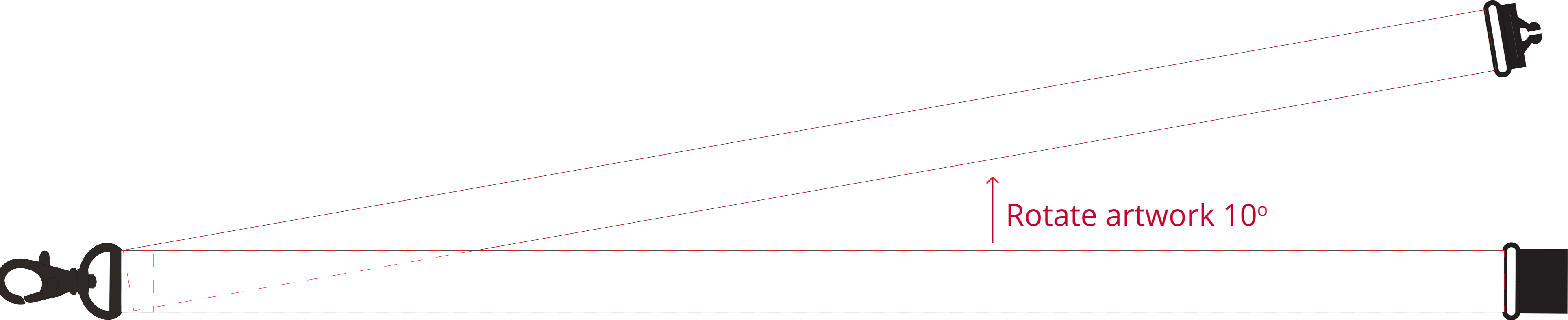
Product 235713
Colour White
Branding Full Colour

Artwork Advisories

Full colour printed colours may differ when printed to the final product.

It is the customer's responsibility to ensure that the proof is correct in all areas. Please be sure to double-check spelling, grammar, layout and design before approving artwork. **Due to the variation in monitor colours and adjustments, PDF proofs may not provide an accurate colour representation of the final product & printed work.** Once artwork is approved, your order will be processed based on the above unless any amendments are made. All orders are subject to our terms and conditions.

Please email all approvals/amends to your order processor.



Keep logo/text at least 10mm from clip to avoid stitching

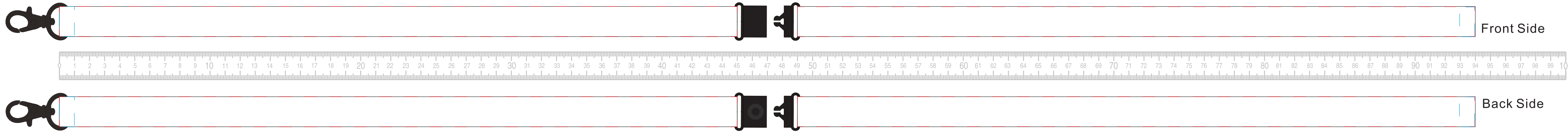
Scale 100% Print area 20 x 450 mm (per strip) Logo size xx x xxmm

YOUR VISUAL PROOF (2 of 2)

Order Reference xxxxxx
Date created xx/xx/xx
Created by xx

Print area 20 x 450 mm (per strip)
Logo size xx x xxmm
Branding Full Colour

Reduced by 50%



Visual scale 50%.