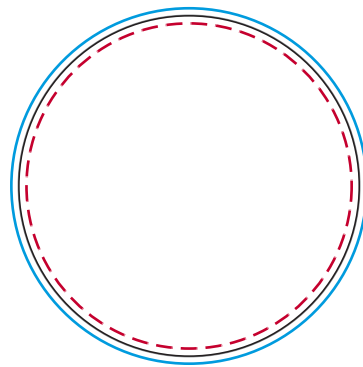


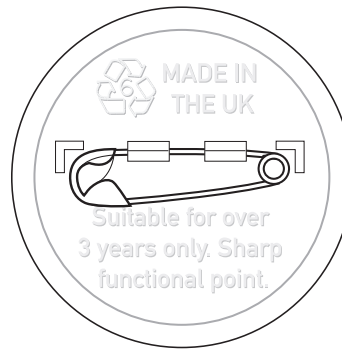
# YOUR VISUAL PROOF

Order Reference xxxxxx  
Date created xx/xx/xx  
Created by xx

Product 197789  
Colour White  
Branding Full colour



Front



Back

— Bleed  
— Product Size  
- - - Safe Text Area

Scale 100%    Print area 45 mm dia.    Logo size xx x xxmm

## Artwork Advisories

**Full colour printed colours may differ** when printed to the final product.

It is the customer's responsibility to ensure that the proof is correct in all areas. Please be sure to double-check spelling, grammar, layout and design before approving artwork. **Due to the variation in monitor colours and adjustments, PDF proofs may not provide an accurate colour representation of the final product & printed work.** Once artwork is approved, your order will be processed based on the above unless any amendments are made. All orders are subject to our terms and conditions.

**Please email all approvals/amends to your order processor.**